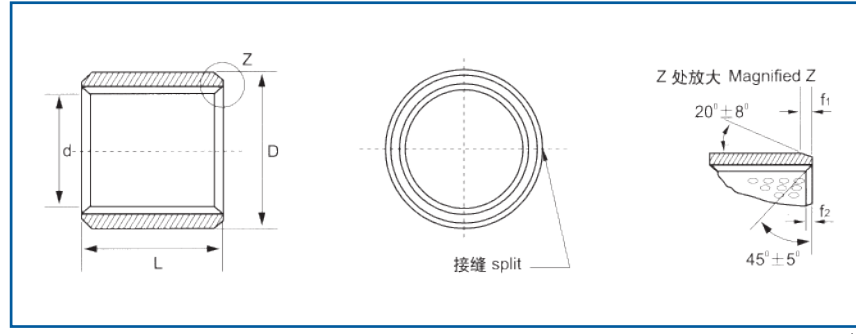
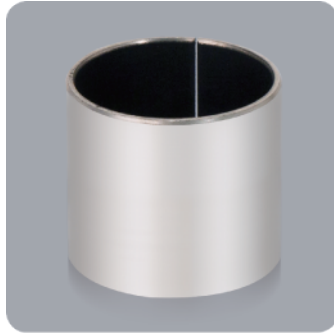


## RSZ-1 标准衬套尺寸 STANDARD SERIES RSZ-1 BUSH

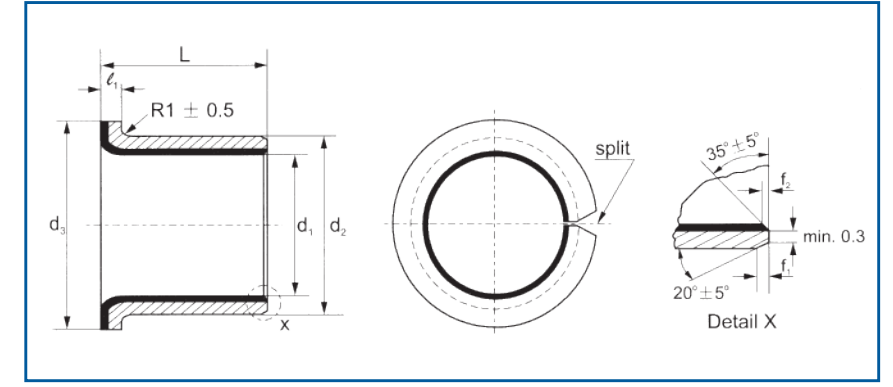
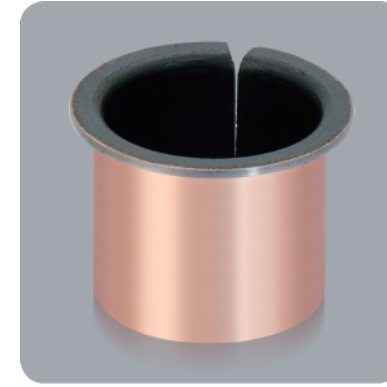


Unit: mm

d	D	轴径f7 Diameter of axle	座孔H7 Housing bore	壁厚 Wall thickness		f <sub>1</sub>	f <sub>2</sub>	L <sub>0.3</sub>																				
				Min.	Max.			6	8	10	12	15	20	25	30	40	50											
6	8	6 <sup>-0.013</sup> <sub>-0.028</sub>	8 <sup>+0.015</sup>	0.980	1.005	0.5	0.3	0606	0608	0610																		
8	10	8 <sup>-0.013</sup> <sub>-0.028</sub>	10 <sup>+0.018</sup>					0806	0808	0810	0812	0815																
10	12	10 <sup>-0.016</sup> <sub>-0.034</sub>	12 <sup>+0.018</sup>					1006	1008	1010	1012	1015	1020															
12	14	12 <sup>-0.016</sup> <sub>-0.034</sub>	14 <sup>+0.018</sup>										1220	1225														
13	15	13 <sup>-0.016</sup> <sub>-0.034</sub>	15 <sup>+0.018</sup>																									
14	16	14 <sup>-0.016</sup> <sub>-0.034</sub>	16 <sup>+0.018</sup>																									
15	17	15 <sup>-0.016</sup> <sub>-0.034</sub>	17 <sup>+0.018</sup>																									
16	18	16 <sup>-0.016</sup> <sub>-0.034</sub>	18 <sup>+0.018</sup>																									
17	19	17 <sup>-0.016</sup> <sub>-0.034</sub>	19 <sup>+0.021</sup>																									
18	20	18 <sup>-0.016</sup> <sub>-0.034</sub>	20 <sup>+0.021</sup>																									
20	23	20 <sup>-0.020</sup> <sub>-0.041</sub>	23 <sup>+0.021</sup>					1.475	1.505	0.8	0.4																	
22	25	22 <sup>-0.020</sup> <sub>-0.041</sub>	25 <sup>+0.021</sup>									2010	2012	2015	2020	2025	2030											
24	27	24 <sup>-0.020</sup> <sub>-0.041</sub>	27 <sup>+0.021</sup>									2210	2212	2215	2220	2225	2230											
25	28	25 <sup>-0.020</sup> <sub>-0.041</sub>	28 <sup>+0.021</sup>																									
28	32	28 <sup>-0.020</sup> <sub>-0.041</sub>	32 <sup>+0.023</sup>																									
30	34	30 <sup>-0.025</sup> <sub>-0.050</sub>	34 <sup>+0.025</sup>																									
32	36	32 <sup>-0.025</sup> <sub>-0.050</sub>	36 <sup>+0.025</sup>					1970	2.005	1.0	0.5																	
35	39	35 <sup>-0.025</sup> <sub>-0.050</sub>	39 <sup>+0.025</sup>									3012	3015	3020	3025	3030	3040											
38	42	38 <sup>-0.025</sup> <sub>-0.050</sub>	42 <sup>+0.025</sup>																									
40	44	40 <sup>-0.025</sup> <sub>-0.050</sub>	44 <sup>+0.025</sup>																									

d	D	轴径f7 Diameter of axle	座孔H7 Housing bore	壁厚 Wall thickness		f <sub>1</sub>	f <sub>2</sub>	L <sub>0.3</sub>																					
				Min.	Max.			20	25	30	40	50	60	70	80	100													
45	50	45 <sup>-0.025</sup> <sub>-0.050</sub>	50 <sup>+0.025</sup>	2.460	2.505	1.2	0.6	4520	4525	4530	4540	4550																	
50	55	50 <sup>-0.030</sup> <sub>-0.060</sub>	55 <sup>+0.030</sup>					5020		5030	5040	5050	5060																
55	60	55 <sup>-0.030</sup> <sub>-0.060</sub>	60 <sup>+0.030</sup>									5530	5540	5550	5560														
60	65	60 <sup>-0.030</sup> <sub>-0.060</sub>	65 <sup>+0.030</sup>									6030	6040	6050	6060	6070													
65	70	65 <sup>-0.030</sup> <sub>-0.060</sub>	70 <sup>+0.030</sup>									6530	6540	6550	6560	6570													
70	75	70 <sup>-0.030</sup> <sub>-0.060</sub>	75 <sup>+0.030</sup>										7040	7050	7060	7050	7080												
75	80	75 <sup>-0.030</sup> <sub>-0.060</sub>	80 <sup>+0.030</sup>									7530	7540	7550	7560	7570	7580												
80	85	80 <sup>-0.035</sup> <sub>-0.070</sub>	85 <sup>+0.035</sup>					2.440	2.490	1.4	0.7																		
85	90	85 <sup>-0.035</sup> <sub>-0.070</sub>	90 <sup>+0.035</sup>																										
90	95	90 <sup>-0.035</sup> <sub>-0.070</sub>	95 <sup>+0.035</sup>																										
95	100	95 <sup>-0.035</sup> <sub>-0.070</sub>	100 <sup>+0.035</sup>																										
100	105	100 <sup>-0.035</sup> <sub>-0.070</sub>	105 <sup>+0.035</sup>																										
105	110	105 <sup>-0.035</sup> <sub>-0.070</sub>	110 <sup>+0.035</sup>																										
110	115	110 <sup>-0.035</sup> <sub>-0.070</sub>	115 <sup>+0.035</sup>																										
120	125	120 <sup>-0.04</sup> <sub>-0.080</sub>	125 <sup>+0.035</sup>																										
125	130	125 <sup>-0.04</sup> <sub>-0.080</sub>	130 <sup>+0.040</sup>																										
130	135	130 <sup>-0.04</sup> <sub>-0.080</sub>	135 <sup>+0.040</sup>																										
140	145	140 <sup>-0.04</sup> <sub>-0.080</sub>	145 <sup>+0.040</sup>																										
150	155	150 <sup>-0.04</sup> <sub>-0.080</sub>	155 <sup>+0.040</sup>																										
160	165	160 <sup>-0.04</sup> <sub>-0.080</sub>	165 <sup>+0.040</sup>	2.415	2.465	1.6	0.8																						
180	185	180 <sup>-0.046</sup> <sub>-0.092</sub>	185 <sup>+0.046</sup>																										
190	195	190 <sup>-0.046</sup> <sub>-0.092</sub>	195 <sup>+0.046</sup>																										
200	205	200 <sup>-0.046</sup> <sub>-0.092</sub>	205 <sup>+0.046</sup>																										
220	225	220 <sup>-0.046</sup> <sub>-0.092</sub>	225 <sup>+0.046</sup>																										
250	255	250 <sup>-0.052</sup> <sub>-0.104</sub>	255 <sup>+0.052</sup>																										
260	265	260 <sup>-0.052</sup> <sub>-0.104</sub>	265 <sup>+0.052</sup>																										
280	285	280 <sup>-0.052</sup> <sub>-0.104</sub>	285 <sup>+0.052</sup>																										
300	305	300 <sup>-0.052</sup> <sub>-0.104</sub>	305 <sup>+0.052</sup>																										

## RSZ-1F 标准衬套尺寸 STANDARD SERIES OF RSZ-1F BUSHES BUSH



Unit: mm

Axle	Housing H7	OD tolerance	ID after fixed	Designation	Wall thickness	f <sub>1</sub>	f <sub>2</sub>	Dimension				
								d <sub>1</sub>	d <sub>2</sub>	d <sub>3</sub> ± 0.5	L ± 0.25	I <sub>1</sub> -0.2
6 <sup>+0.013</sup> <sub>+0.028</sub>	8 <sup>+0.015</sup>	6 <sup>+0.055</sup> <sub>+0.025</sub>	5.990 6.005	06040 06070	+0.005 -0.020	0.6	0.3	6	8	12	4 7	1
10	12	10 <sup>+0.055</sup> <sub>+0.025</sub>	9.990 10.058	10070 10090 10120				10	12	18	7 9 12	
14	16	14 <sup>+0.065</sup> <sub>+0.030</sub>	13.990 14.058	14120 14170 15090 15120 15170				14	16	22	12 17	
16	18	16 <sup>+0.065</sup> <sub>+0.030</sub>	15.990 16.058	18120 18170 18200				16	18	24	12 17	
20	23	20 <sup>+0.075</sup> <sub>+0.035</sub>	19.990 20.071	22150 22200				20	23	30	11.5 16.5 21.5	
25	28	25 <sup>+0.075</sup> <sub>+0.035</sub>	24.990 25.071	30160 30260				25	28	35	11.5 16.5 21.5	
35	39	35 <sup>+0.085</sup> <sub>+0.045</sub>	34.990 35.085	40260 40400				35	39	47	16 26	